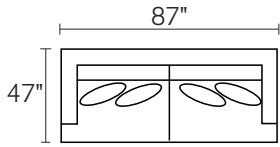
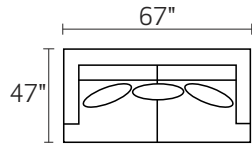


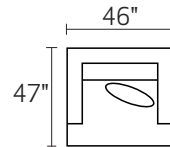
S0246 MATTHEW



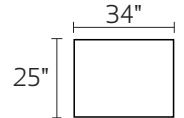
-30XXX - SOFA



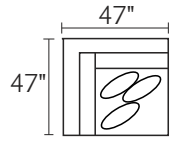
-20XXX - LOVESEAT



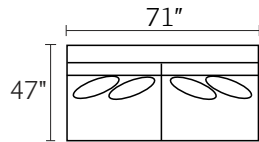
-01XXX - ARM CHAIR



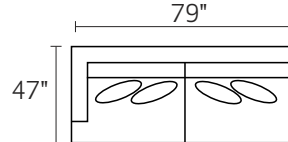
-02XXX - OTTOMAN



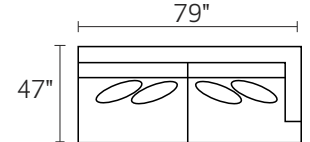
-15XXX - CORNER UNIT



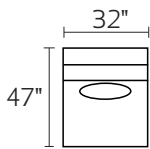
-07XXX - ARMLESS SOFA



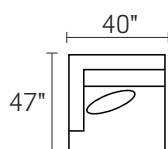
-35LFX - LAF SOFA



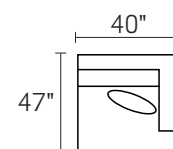
-35RFX - RAF SOFA



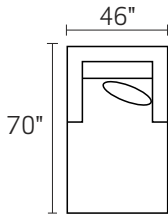
-10XXX - ARMLESS CHAIR



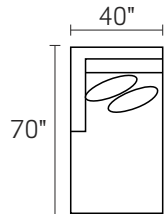
-04LFX - LAF CHAIR



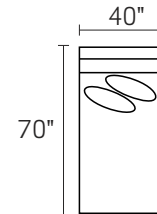
-04RFX - RAF CHAIR



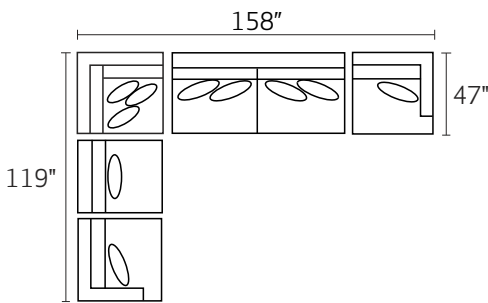
-29XXX - CHAISE



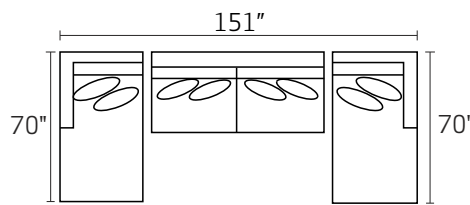
-82LFX - LAF CHAISE



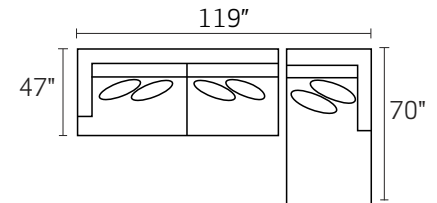
-82RFX - RAF CHAISE



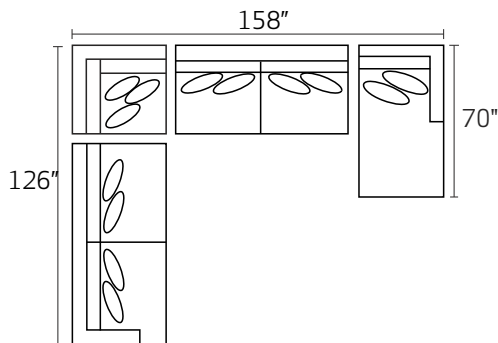
-04L/-10/-15/-07/-04R



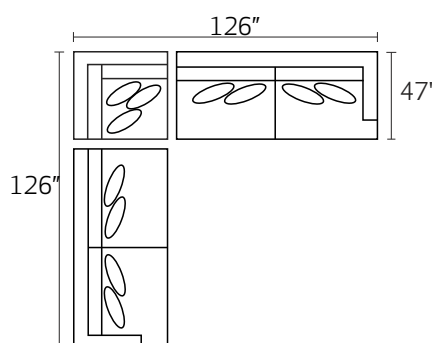
-82L/-07/-82R



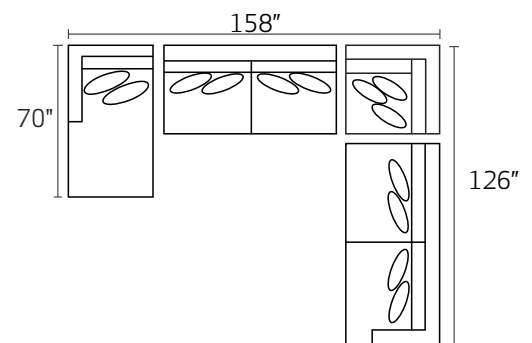
-35L/-82R



-35L/-15/-07/-82R



-35L/-15/-35R



-82L/-07/-15/-35R

*DIMENSIONS ARE APPROXIMATE